



**SolarCrystallizer 22**

## SolarCrystallizer 22

Our solar Czochralski-Puller for mass production of silicon crystals up to 230 mm diameter.

### Technical Data

#### Puller Data

Crucible diameter:	up to 559 mm (22")
Crystal diameter:	up to 230 mm
Crystal length:	up to 2.8 m
Charge size:	up to 180 kg
Vessel diameter:	approx. 934 mm
Vessel height:	approx. 1,520 mm
Gate valve diameter:	304 mm
Receiving chamber:	tube
Weight (Puller):	approx. 7,100 kg
Weight (power cabinet):	approx. 1,400 kg

#### Crucible drive unit

Lifting speed:	0.02 ... 200 mm/min
Stroke:	approx. 560 mm
Rotation speed:	0,5 ... 35 rpm

#### Crystal drive unit

Lifting speed:	0.1 ... 1,000 mm/min
Rotation speed:	0.5 ... 35 rpm

#### Utilities

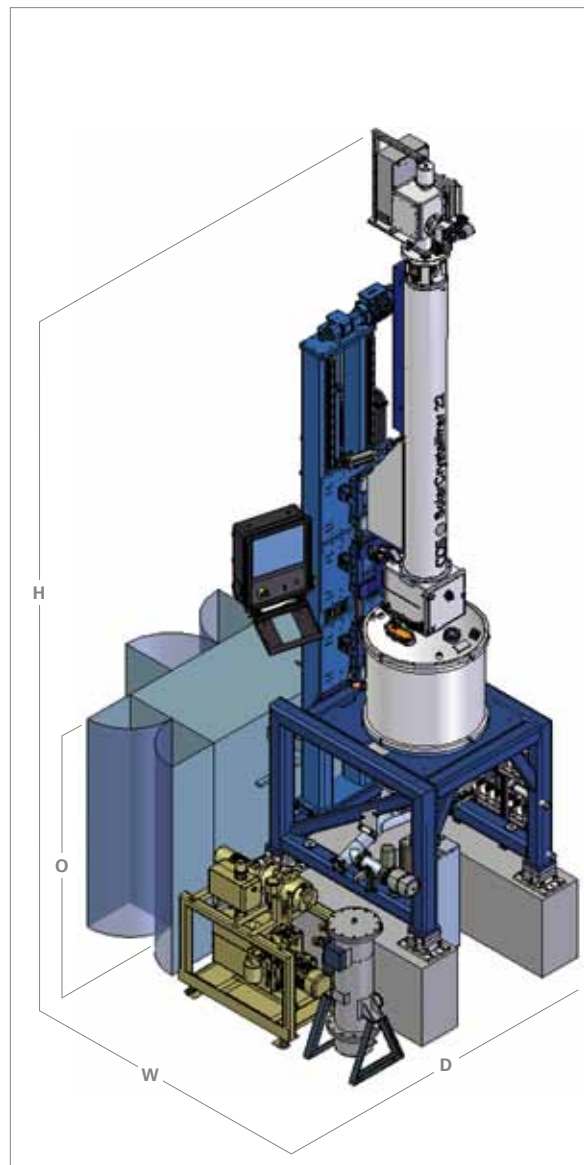
Power supply:	max. 145 kVA
Process gas:	max. 100 l/min
Compressed air:	4 ... 6 bar
Water pressure:	max. 4.5 bar
Water consumption:	max. 200 l/min

#### System Control

Automatic process control by PLC / PC:	equipped as standard
--	----------------------

#### Options

Granular feeding system  
 Vacuum pumping  
 SiO filter system  
 Production Management System



### Dimensions (approx.)

<b>Height (opened)</b>	(H)	9,750 mm
<b>(closed)</b>		8,250 mm
<b>Width</b>	(W)	3,600 mm
<b>Depth</b>	(D)	2,650 mm
<b>Operator level</b>	(O)	2,500 mm

Rev. - Stand: 010